

## HEAVY DUTY STAINLESS STEEL HOSE CLAMPS



### HI-TORQUE

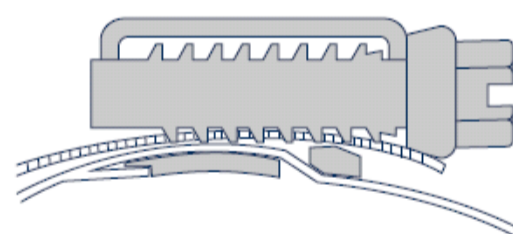
Available in both 304 and 316 stainless steel, Hi-Torque hose clamps are specifically designed for use with tough, wire reinforced hoses that require higher sealing pressures, and for when an extra margin of safety and reliability is required.

#### PERFORMS UNDER PRESSURE

Do not be fooled by their “straightforward” appearance, Hi-Torque heavy duty stainless steel worm drive hose clamps provide unrivalled hose sealing ability, quality and strength and regularly outperform their more “elaborately” designed rivals. Meaning Hi-Torque can be used in every application where an adjustable hose clamp is required.

Hi-Torque hose clamps are quicker to fit, have no loose parts to lose in awkward places and take up less space and have a larger adjustment range than any other heavy duty clamp.

#### UNIQUE STRAIGHT LINE HOUSING



The Hi-Torque design has a unique ‘straight line’ housing, which ensures that every thread of the screw is fully engaged with the band. This special feature together with a high tensile band and hardened rolled thread screw means that Hi-Torque clamps have more than twice the strength of ordinary worm drive hose clips.

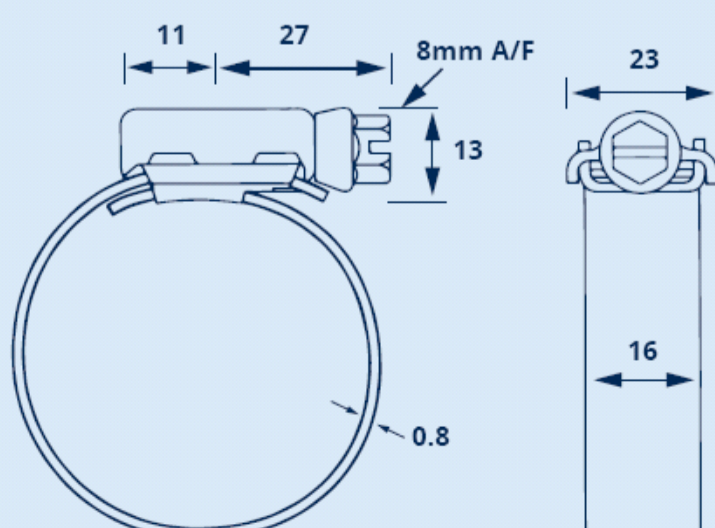
### THE RANGE

Size	Dia mm	Dia ins
27	20-27	3/4 - 1 1/8
30	20-30	3/4 - 1 1/4
35	20-35	3/4 - 1 3/8
40	25-40	1 - 1 5/8
45	25-45	1 - 1 3/4
50	30-50	1 1/4 - 2
60	40-60	1 5/8 - 2 3/8
65	45-65	1 3/4 - 2 1/2
70	50-70	2 - 2 3/4
80	60-80	2 3/8 - 3 1/8
90	70-90	2 3/4 - 3 1/2
95	75-95	3 - 3 3/4
100	80-100	3 1/8 - 4
115	85-155	3 3/8 - 4 1/2
120	90-120	3 1/2 - 4 3/4
140	110-140	4 3/8 - 5 1/2
160	130-160	5 1/8 - 6 1/4
180	150-180	5 7/8 - 7
200	170-200	6 3/4 - 7 7/8
220	190-220	7 1/2 - 8 5/8
240	210-240	8 1/4 - 9 1/2
260	230-260	9 - 10 1/4
280	250-280	9 7/8 - 11
300	270-300	10 5/8 - 11 3/4
320	290-320	11 3/8 - 12 1/2
340	310-340	12 1/4 - 13 3/8
360	330-360	13 - 14 1/8
380	350-380	13 3/4 - 15
400	370-400	14 1/2 - 15 3/4
420	390-420	15 3/8 - 16 1/2
440	410-440	16 1/8 - 17 1/4
460	430-460	17 - 18 1/8
480	450-480	17 3/4 - 18 7/8
500	470-500	18 1/2 - 19 5/8



Hi-Torque clamps hold Lloyd's Register Type approval for applications in the marine, offshore and industrial markets and are specifically approved by Lloyd's Register for the critical application of sealing wet diesel exhaust hoses.

## HI-TORQUE TECHNICAL & MATERIAL SPECIFICATION



**RECOMMENDED SETTING TORQUE**  
15Nm (130 lb.tn)

**BAND TENSILE STRENGTH**  
1150 N/mm<sup>2</sup> approx. (75 tons/in<sup>2</sup>)

#### MATERIAL SPECIFICATIONS

**TYPE HTM - STAINLESS STEEL 304**  
All parts BS304 - EN 1.4301/1.4576

**TYPE HTJ - STAINLESS STEEL 316**  
All parts BS316 - EN 1.4401/1.4578